



PAYmate™

Simply works

PAYmate™ — Advanced, user-friendly time and attendance terminal, featuring Ethernet connectivity and power-over-Ethernet.

Designed for those who demand simple setup and ease-of-use, along with HTTP, XML, and DHCP network connectivity.

The Paymate features a customizable overlay to fit comfortably with your design needs. One-wire connectivity and power simplifies installation, and two-button interface simplifies use.

Durable design, HTTP connectivity, and field-upgradeable firmware provide for long lifespan and dependability.

PAYmate™ features include:

- Internet appliance
- Easy to install and use
- Two function keys (in and out)
- Field-upgradeable firmware – never out dated
- Power-over-Ethernet

To learn more about ATS and PAYmate,
visit www.accu-time.com or call 860.870.5000.



A member of the **Global** series

Specifications

DISPLAY CLOCK KEYPAD	128 x 64 dot matrix LCD (blue with white LED backlight) Battery-backed real-time clock, 12- or 24-hour format (quartz precision) In/out keys Customizable overlay allows for unique graphic options
SOUND	Internal alert beeper
MEMORY PROGRAMMING	Stores up to 2000 punches Java™ option Web services capable ATS Universal Command Set or third-party custom application packages
PLATFORM	MQX real-time operating system 32-bit microcontroller at 80 MHz
INTERFACE	10/100BASE-T Ethernet with DHCP, HTTP, and XML
ENCLOSURE MOUNTING	High strength PC/ABS rated to IP 54 With or without reversible wedge for 6-degree angle wall or desk mounting Mounts directly to U.S. or U.K. single-gang electrical box Ethernet cable can be routed through top, bottom, or rear of terminal
POWER ENVIRONMENT	IEEE 802.3af-compliant power over Ethernet Operation Temperature: 0° to 50°C (32° to +122°F) Storage Temperature: -20° to 80°C (-4° to +176°F)
PHYSICAL CERTIFICATIONS READER CREDENTIALS	With base: 4.0 cm x 9.3 cm x 4.5 cm (5.52" x 3.67" x 1.77") CE Mark, FCC Part 15 Class A Integrated Mifare™ reader (reads s/n only) MiFare, ISO 14443 A/B

Accu-Time Systems, Inc.

One Accu-Time Plaza
Route 83
Ellington, CT 06029

TEL: (860) 870-5000

FAX: (860) 872-1511

Toll Free: 1-800-355-4648

sales@accu-time.com

www.accu-time.com

Accu-Tech Systems Ltd

C1 Caerphilly Business Park
Caerphilly
Mid Glamorgan
CF83 3ED
United Kingdom

TEL: +44 (0) 2920 885599

FAX: +44 (0) 2920 868666

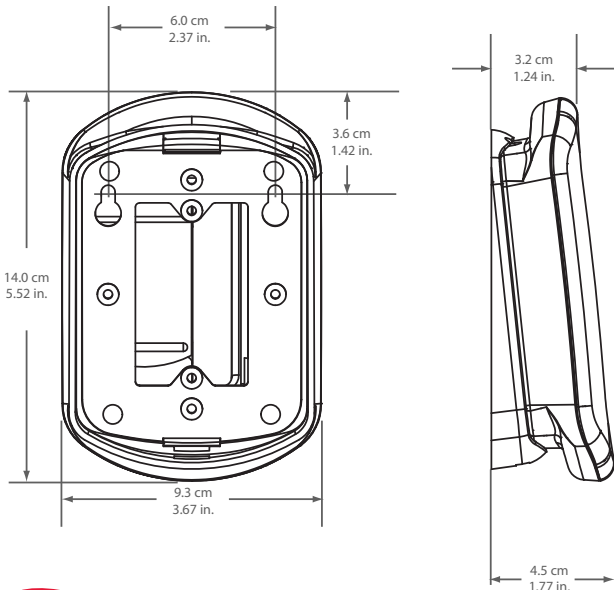
Continental Europe

TEL: +31 (0) 318 75 41 33

Latin America

ventas@accu-time.com

TEL: (617) 573-5073



All of the ATS
Global Series
products are
100% RoHS
compliant



AN **AMANO**. GROUP COMPANY

To learn more about ATS, visit www.accu-time.com or call 860-870-5000.
As part of Accu-Time's continuous improvement process, we reserve the right to change product specifications without notice.