

## Relay Module – AC (97-1794-01)

The Accu-Time PN 97-1794-01 DI/DO (Data In/Data Out) Relay Module is an ETL certified, peripheral controller device, which interfaces with the Accu-Time Data Collection Terminals (DCT). The Relay Module delivers Data Out signal levels required to activate electronic door locks, solenoids or buzzers, and to receive, through the on board sensing circuitry, externally generated Data In signal levels.

The DO functionality of the Relay Module utilizes an AC (Alternating Current) one hundred twenty (120) volt, two (2) ampere solid-state relay. A five-position screw down connector serves as the gateway between the Relay Module peripheral controller and the external electronic door lock mechanism. A four- (4) position, RJ11 modular phone jack connector mates the Relay Module with the Accu-Time DCT.

The Accu-Time DCT, upon direction from the system host, delivers the output signal level command required to activate the electronic door lock. The DI/DO Relay Module has a NO (Normally Open), and NC (Normally Closed) relay contact option. This selected jumper option (JP1) determines the output state of the electronic door lock. In the NO contact position, the Relay Module is deactivated. Generated signal levels from the Accu-Time DCT energize the relay. (Note: Customer software determines the timing and duration of relay activation). In the NC contact position, the Relay Module is fully activated. Generated signal levels from the Accu-Time DCT de-energize the relay. (Note: Customer software determines the timing and duration of relay deactivation).

The DI portion of the Relay Module is an input-sensing device. Utilizing opto-isolation circuitry the Relay Module accepts externally generated signal levels such as make/break contacts used as monitoring devices for doors, windows, etc.; or as input status messages. Consult the ATS Technical Support department for recommended DI application requirements.

Installing AC relay loads require terminating the ground wire to the grounding stud located in the base assembly. ATS recommends that a qualified electrician perform relay wiring in accordance with state and local electrical regulations.

### GENERAL SPECIFICATIONS

#### Physical-

Dimensions: 3.00"L X 2.50"W X 0.65"H  
(7.62cm X 6.35cm X 1.65cm)

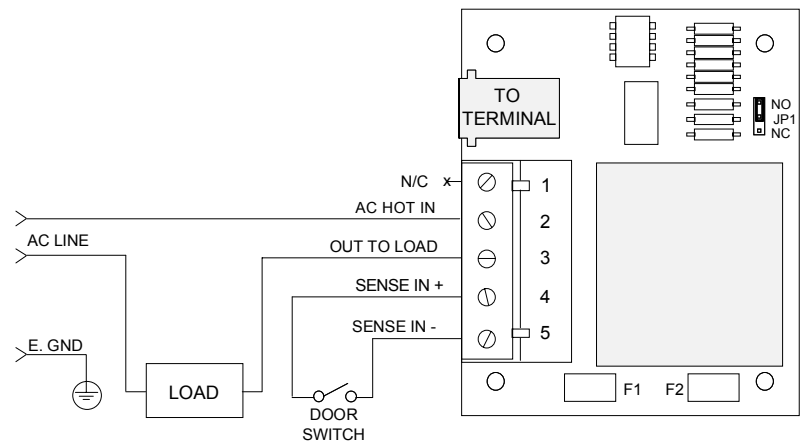
Weight: 0.10 lbs (0.05kg)

#### Environmental-

Operating Temp: 32°-110°F (0°-45°C)  
Relative Humidity: 20-90% Non-Condensing

#### Operating Parameters-

Power: Draws power from DCT  
Power Consumption: .010 amps  
Voltage to be switched: 12-140VAC  
Current to be switched: 2 amp maximum



06000310/01.DRW

97179401b