

## RS232-RS485 CONVERTER W/PWR LED (98-9003-04)

The Accu-Time RS232-RS485 Converter, product number 98-9003-04, is a network peripheral device that permits data communication to be attached between the processor of an RS485 driven Accu-Time Data Collection Terminal (DCT) and an RS232 communication card of a host processor.

Conforming to the Electronic Industries Association (EIA) specifications for data communications, the Accu-Time RS232-RS485 peripheral converts a two line RS232 serial binary data interchange message to an RS485 four line carrier using balanced line voltages for noise reduction and long distance capability. The Accu-Time RS232-RS485 converter can receive and transmit data communication messages at standard baud rates up to 19.2kbps (kilobits per second). Housed in a durable black anodized aluminum enclosure, the Accu-Time RS232-RS485 converter includes an easy to read information label that designates input and output termination points. Two eight- (8) position RJ45 phone jack connectors access the Host and Network/Terminal interfaces. The RS232-RS485 circuitry is powered by an external direct current (DC) 12-volt power source that activates a red LED (PWR ON) when in use.

Internally, the dual RS485 transceivers are balanced to facilitate optimum capacitive and resistive line loads. Up to thirty-two (32) Accu-Time DCTs can be accommodated on a single communication link. Transzorb surge protectors clamp line voltage spikes and transient noise.

Accu-Time's RS232-RS485 Converter terminal connections are as follows:

### RS232 HOST INTERFACE

- 1-Earth ground
- 2-Host transmit
- 3-Host receive
- 4-Host request to send
- 5-Host clear to send
- 6-Power ground
- 7- (+) Voltage DC
- 8-Power ground

### NETWORK/TERMINAL INTERFACE

(All connections are referenced to the Accu-Time DCT)

- 1-Earth ground
- 2-Network data in-
- 3-Network data out +
- 4-Network data out -
- 5-Network data in +
- 6-Power ground
- 7- (+) Voltage DC
- 8-Power ground

### GENERAL SPECIFICATIONS

#### Physical-

Dimensions: 1.25" H X 3.20" W X 2.70" D  
(3.18cm H x 8.13cm W x 6.86cm D)

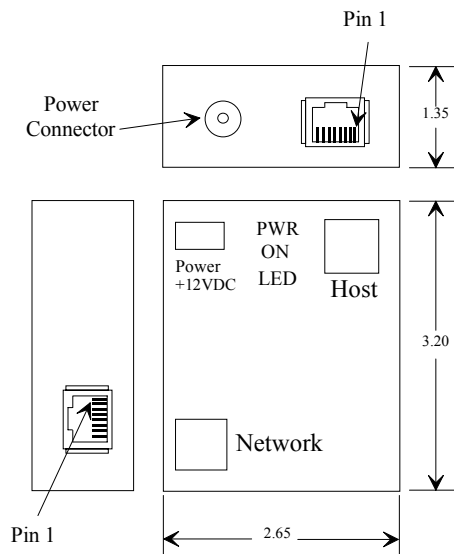
Weight: 0.28 Lbs. (0.13kg)

#### Environmental-

Operating Temp: 32°-110°F (0°-45°C)  
Relative Humidity: 20-90% Non-condensing

#### Operating Parameters-

Power: Draws power from 12VDC Power Pack  
Power Consumption: .073 amps



98900304a